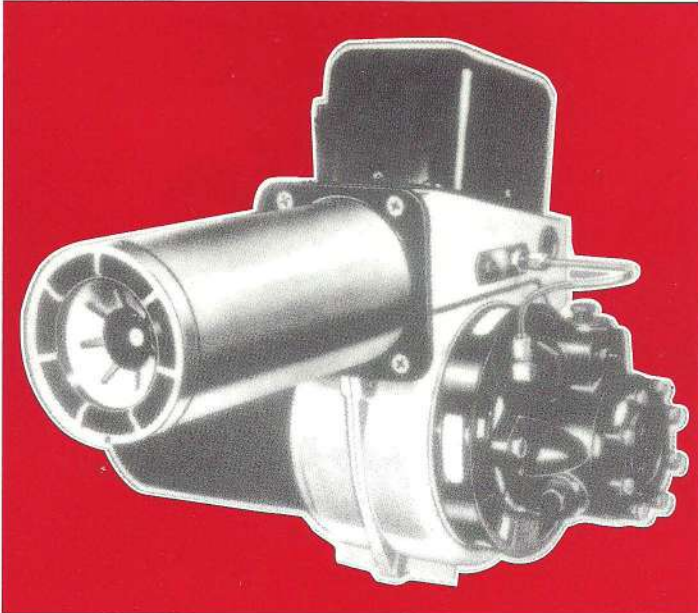




model SF

OIL BURNER



SPECIFICATIONS CAPACITIES MODEL SF

..... 2.50 to 5.50 gallons per hour
 350,000 to 770,000 BTU/HR Input
 See SPECIAL AIR TUBE COMBINATIONS DETAILS For
 Special Firing Rates

FUELS

No. 1 or No. 9 Heating Oil (ASTM D396) Only
 In Canada, No. 1 or No. 2 Furnace Oil

DIMENSIONS (Standard)

Height 13-5/8"
 Width 15-3/8"
 Depth (Chassis Only) 8-1/2"

ELECTRICAL CHARACTERISTICS (See Note)

Power Supply 220V, 50 Hz, 1Phase
 Operating Load (Max.) 7.1 Amps
 Motor 1/4 HP 2850 RPM, N.E.M.A "N" Flange, manual
 reset, overload protected
 Ignation 10,000 V/23 ma secondary, continuous
 duty, shielded transformer or solid-state ignition system

FUEL UNIT

..... Suntec Type AZYA-7916

NOTE:

50 Hertz electrical components are available on special order.

Dear Homeowner:

Over forty years of engineering and product development have gone into your new oil burner. Its quality and design are unsurpassed. Properly installed and maintained it will provide many years of efficient, trouble-free operation. Please read this Instruction Manual carefully, and give special attention to the following points:

- An oil burner must have a generous supply of combustion air to operate properly. Please refer to the information in this manual for details.
- NEVER attempt to use gasoline in your heating appliance. Gasoline is more combustible than fuel oil and could result in a serious explosion. NEVER burn garbage or refuse in your heating appliance or try to light oil by tossing burning material into the heater.
- **INSTALLATION AND ADJUSTMENT OF THE BURNER REQUIRES TECHNICAL KNOWLEDGE AND THE USE OF COMBUSTION TEST INSTRUMENTS. DO NOT TAMPER WITH THE UNIT OR CONTROLS. CALL YOUR SERVICEMAN.**

Beckett warrants its equipment specifically to those who have purchased it for resale, including your dealer. In the event of any problems with your equipment or its installation, you should contact your dealer for assistance.

TO THE INSTALLER

INSTALLATION OF THE BURNER MUST BE DONE BY A QUALIFIED INSTALLER IN ACCORDANCE WITH REGULATIONS OF THE NATIONAL FIRE PROTECTION STANDARD FOR OIL-BURNING EQUIPMENT, NFPA NO. 31, AND IN COMPLETE ACCORDANCE WITH ALL LOCAL CODES AND AUTHORITIES HAVING JURISDICTION. FOR RECOMMENDED INSTALLATION PRACTICE IN CANADA, REFERENCE SHOULD BE MADE TO CSA STANDARD B139.

A QUALIFIED INSTALLER IS AN INDIVIDUAL OR AGENCY WHO IS RESPONSIBLE FOR THE INSTALLATION AND ADJUSTMENT OF THE EQUIPMENT AND WHO IS PROPERLY LICENSED AND EXPERIENCED TO INSTALL OIL-BURNING EQUIPMENT IN ACCORDANCE WITH ALL CODES AND ORDINANCES.

A properly designed chimney of adequate size and height and adequate combustion air supply are essentials for the best operation of any heating plant.

When installing the heater and/or burner be sure to provide adequate space for easy service and maintenance.

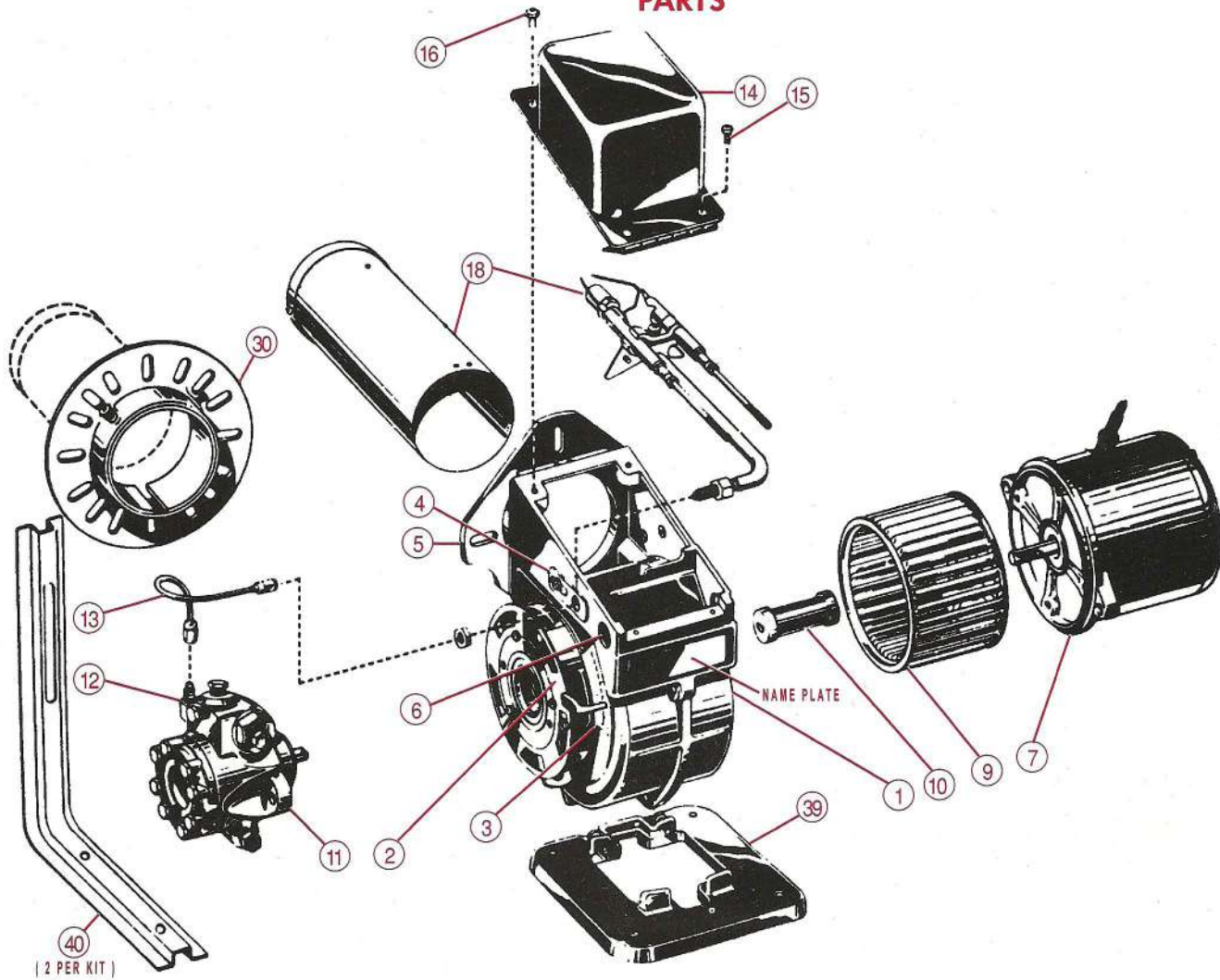
CONCEALED DAMAGE

If any damage to the burner or controls is found during unpacking notify the carrier at once and file the appropriate claim.

Underwriter's Laboratories has certified this burner to comply with the commercial standards CS75, and has listed it for use with #1 or #2 fuel oil as specified in ASTM D396. State and local approvals are shown on burner rating label. The burner is certified in Canada by Canadian Standards Association (CSA). All oil burners should be installed in accordance with regulations of the National Fire Protection Association pamphlet #31 and in complete accordance with all local codes and authorities having jurisdiction. Regulation of these authorities take precedence over the general instructions provided in this installation manual. For recommended installation practice in Canada. Reference should be made to CSA Standard B 139

R.W. BECKETT CORPORATION
 P.O. Box 1289, Elyria, Ohio 44036,
R.W. BECKETT CANADA, LTD
 430 Laird, Unit 3, Guelph, Ontario, N1G 3x7

PARTS



WHEN ORDERING PARTS - STATE BURNER MODEL, PART DESCRIPTION AND PART NUMBER

REF.	DESCRIPTION	PART NO.
1	BURNER HOUSING ASSEMBLY Burner Housing with Inlet Bell	5-343S
2	End Air Shutter	3-215
3	Bulk Air Band	3-819
4	Nozzle Line Escutcheon Plate - Front	3-493
4	Nozzle Line Escutcheon Plate - Rear	
5	Unit Flange or	3-230
	Square Plate	3-399
	Holding Screws (not shown)	
6	Hole Plug-Wiring Box (not shown)	2-139
7	DRIVE MOTOR	2-364
	Motor Holding Screws	4-82
9	BLOWER WHEEL Regular	2-288
	Large (See Special Note)	2-383
10	FLEXIBLE COUPLING	12-290
11	FUEL UNIT	
	Single-Stage Sundstrand "J"	2-396
	Two-Stage Sundstrand "H"	2-393
	Single-Stage Sundstrand "A"	2-591
12	Pump Outlet Fitting	2-256
	Pump Holding Screws (not shown) ...	4-82
13	Connector tube assembly pump to nozzle line	5-394
14	Ignition Transformer (10.000V/23 ma.)	2-289
15	Hinge Screws	4-217
	Holding Screws	4-292
17	Contact Spring Terminals (not shown)	3-245

REF	DESCRIPTION	PART #
18	Air Tube Combination	
	Air Tube Gasket (not shown)	3-416
38	Adjustable Mounting Flange.....	5-432
39	Pedestal Support	5-685
40	Extended Pedestal Kit	5-606
	*Specify Air Tube Combination (see overleaf)	

SPECIAL NOTE: When positive firebox pressure exists, large burner fan may be required. (See parts list)

SUGGESTED COMBUSTION CHAMBER DIMENSIONS - UPGRADING OR CONVERSION

Firing Rate (GPH)	Chamber Dimensions (in inches)				
	Round I.D.	Rectangular		Height	Floor To Nozzle
		W	L		
1.25	11	10	11	12	5-6
1.50	12	11	12	13	6-7
2.00	14	12	15	13	6-7
2.50	16	13	17	14	7-8
3.00	18	14	18	15	7-8
3.50	19	15	19	15	7-8
4.00	20	16	21	16	8-9
5.00	23	18	23	18	9-10
5.50	24	19	24	19	10-11

† Use Coupling No. 2-433 With Model A Fuel Units